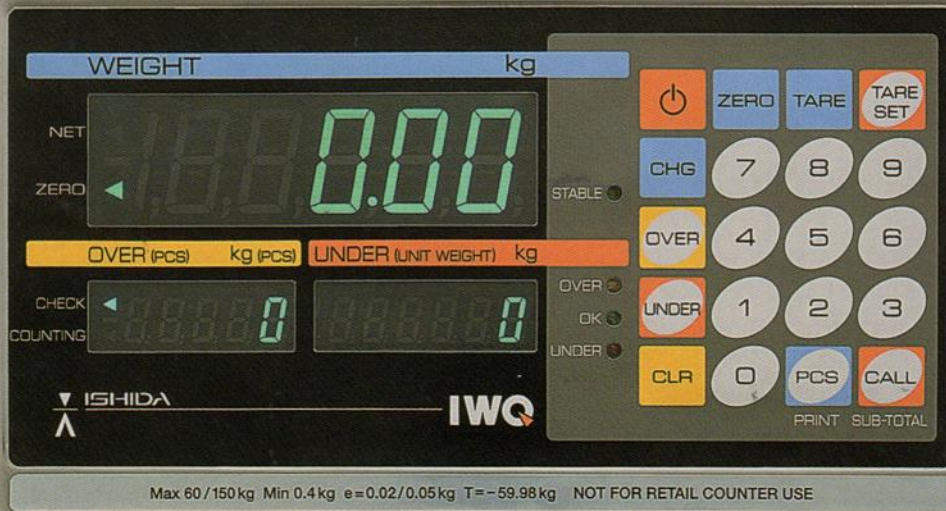
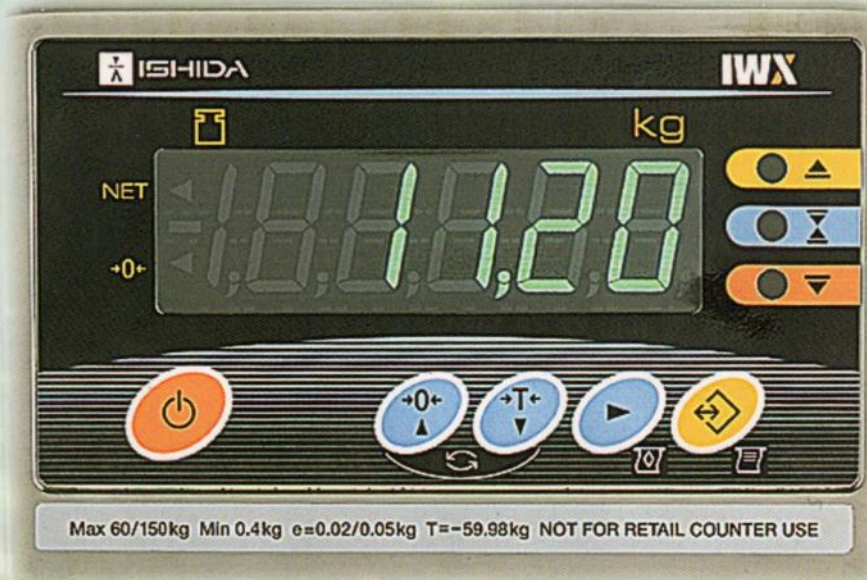


IWQ-D/IWX-D

Water-proof Weigh Indicator



IWQ-D



IWX-D

Outstandingly durable and ideal for food processing

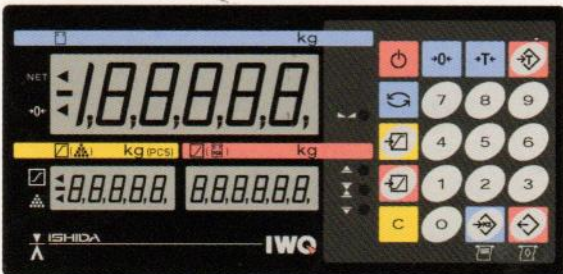
The stainless steel, waterproof IW weigh indicator meets class IP-67 requirements, allowing washdown to the highest sanitary conditions. It is also designed to be sturdy, and resistant against stains, chemicals, and corrosion. The IW weigh indicator can connect to other equipment through a RS-232C interface, providing streamlined information management. No need to change scales for different weighing capacities, as the weighing range varies in function of product weight.

IWQ-D

- Waterproof design conforming to class IP-67 requirements.
- A large, bright fluorescent display accompanied by two small, clear displays.
- Weight-checking function with upper and lower limit presets and displays.
- Both unit and total weights can be displayed at the same time.
- Easy-to-operate keypad allows easy operation.



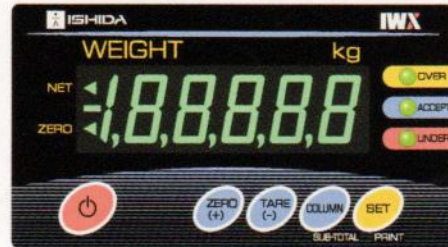
IWQ-D (Asia / Oceania version)



IWQ-D (European version)

IWX-D

- Waterproof design conforming to class IP-67 requirements.
- A large and clear fluorescent display allows superior visibility.
- Weight-checking function with upper and lower limit presets.



IWX-D (Asia / Oceania version)

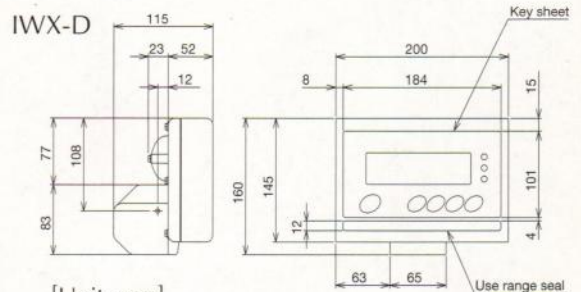
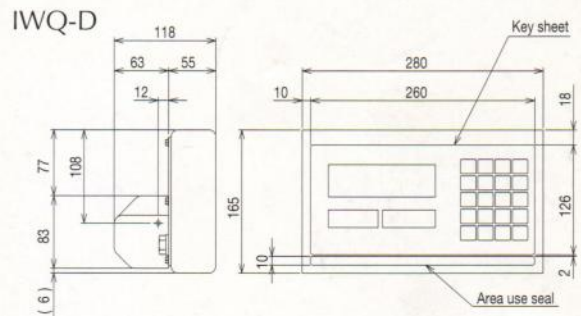


IWX-D (European version)

SPECIFICATIONS

	IWQ-D	IWX-D
Full scale input signal	Max. 15 mV	
Input impedance	820 k Ω , typical (pull down)	
Noise (referred to input)	0.3 μ V p-p @ 1.68 Hz digital filter	
Internal resolution	Approx. 250,000 counts	
Display resolution	150,000 dd	
Measurement rate	6.4 measurement/sec. @ 1.68 Hz digital filter	
Input sensitivity	60 nV per internal count	
System linearity	Within 0.005% of FS	
Zero stability	Max. 50 nV/ $^{\circ}$ C	
Span stability	Max. 6 ppm/ $^{\circ}$ C	
Calibration method	Software calibration with long-term storage in EEPROM	
Excitation voltage	5 VDC (\pm 10%), Max. 60 mA, 4 \times 350 Ω load cells	
Digital filter	0.66 to 3.35 Hz (-3 dB cut off frequency) software selectable	
Sense amplifier	Differential amplifier with 4 wire sensing	
Line voltage	100 to 240 VAC +10%/-15%, 50 to 60 Hz	
Input current	Max. 150 mA (@ 100 VA)	

DIMENSIONS



[Unit: mm]

Design and specifications are subject to change without notice.

ISHIDA



ISHIDA CO., LTD.

44 SANNO-CHO, SHOGAIN, SAKYO-KU
 KYOTO, 606-8392 JAPAN
 PHONE: 81-75-771-4141
 FACSIMILE: 81-75-751-1634
 URL: <http://www.ishidajapan.com>