



GSP V Manual gravity slicer

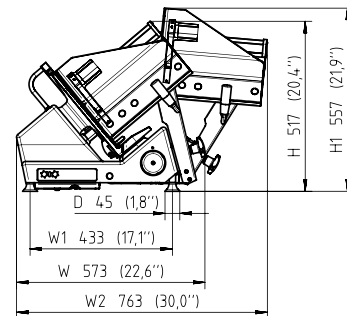
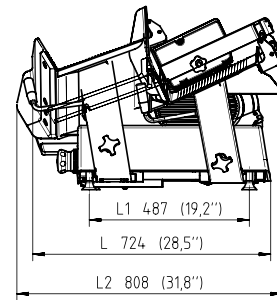
Highlights

- Hygienic design:
 - Large distance between blade and motor tower for easy cleaning by hand
 - Guided run-off of meat and product juices
 - Smooth, rounded surface without seams
 - Removable, dishwasher-safe sharpener
- 40° angled blade and 25° carriage inclination
- Innovative blade cover: Intelligent quick-close system for easy assembly and disassembly
- Powerful Bizerba motor

Options

- Individual equipment:
 - Blade: Ceraclean® blade, cheese blade, bread blade
 - Placement (rubber feet, lifting device)
- Portion scale

Dimensions



Model	Blade diameter	Slice thickness	Power consumption	Outer dimensions
GSP V	mm	mm	V/kW	mm
	330	0-24	220/0.2	725 x 570 x 540