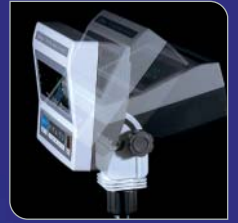




Swivel (360°)



Tilt (90°)

DB-II SERIES

Bench Scale

DB-II with its pivoting display is designed with easy-use and flexibility in mind. Advanced functions and features such as percentage weighing, counting, cumulative weight sum mode and weighing comparison.

Ideal for industrial conditions such as logistics, food processing and also chemical plants.

- Swivel & tiltable display
- RS-232C Interface
- Optional wall mount



◀ Low Capacity



◀ High Capacity



DB-II SERIES | Bench Scale

VFD & LCD DISPLAY

DB-II is equipped with large 20mm display. The user will have no trouble seeing the displayed information at a distance. VFD or LCD display is available.



PIVOT / TILT INDICATOR

Now you can move the indicator box in all directions to have the best viewable angle.

Indicator can be detached and placed on a wall mount.

PRINTING

Print every weighing mode with real time stamp using CAS DEP-50 printer. DB-II is also compatible with many other serial printers.



DEP-50

WEIGHING FUNCTION

- General Weighing Mode
- Percentage Weighing Mode
- Cumulative Weight Sum Mode
- Weighing Comparison (HI/LOW/OK)
- Tare / Hold
- Counting Mode

SPECIFICATIONS

Model	DB-II Series					DB-IIF Series	
Max. Capacity (kg)	6	15	30	60	150	60	150
Readability (g)	2	5	10	20	50	10/20	20/50
External Resolution	1/3,000						
Display Digit	6 Digits						
Display Type	LCD					VFD	
Operating Temperature	-10°C ~ 40°C						
Power	DC 9V Adapter 850mA					AC110/220V, 50/60Hz	
Platter Size (mm)	280(W) x 280(D)			420(W) x 510(D)			
Dimensions (mm)	280(W)x350(D)x530(H)			425(W) x 675(D) x 755(H)			
Product Weight (kg)	5		14.7		14		

FEATURES

- Tilt (90°) and swivel (360°) head
- Aluminum die casting platform
- RS-232C Interface
- Counting function



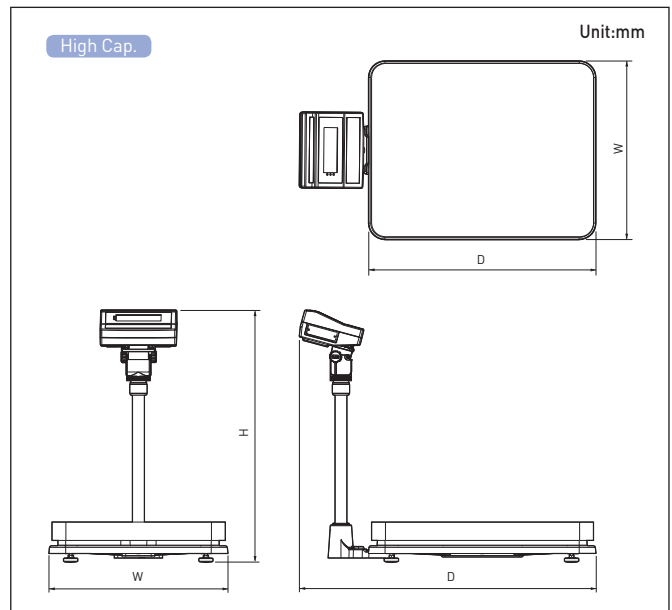
OPTIONS

- Printer: DEP-50 (ticket)
- Wall-mount
- Backlight (LCD type)
- Dust cover



Dust cover •

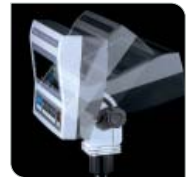
DIMENSIONS



• Wall-mount



• Swivel (360°)



• Tilt (90°)

CAS

CAS BLDG., # 440-1, SUNGNAE-DONG,
GANGDONG-GU, SEOUL, KOREA

TEL_ 82 2 2225 3500

FAX_ 82 2 475 4668

<http://www.globalcas.com>

Specifications are subject to change for improvement without prior notice.